

Name _____

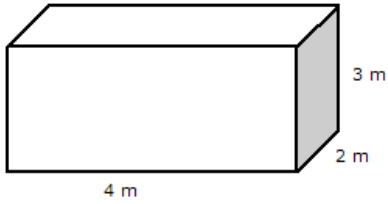
Done Together In Class

Calculating Volumes of Rectangular Prisms

Find the volume of each rectangular prism and write it on the line.

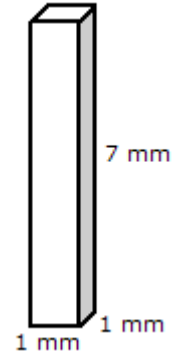
Be sure to include the correct units.

#1



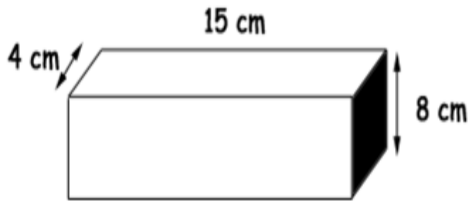
Volume = _____

#2



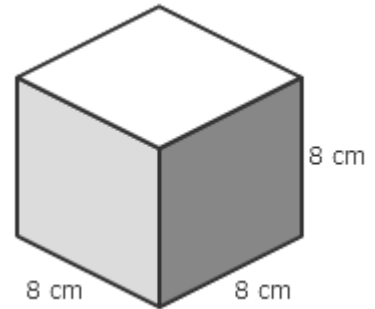
Volume = _____

#3



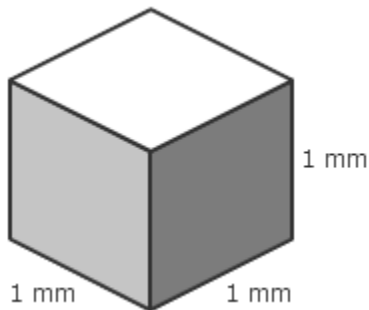
Volume = _____

#4



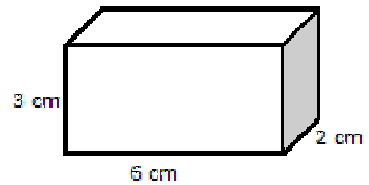
Volume = _____

#5



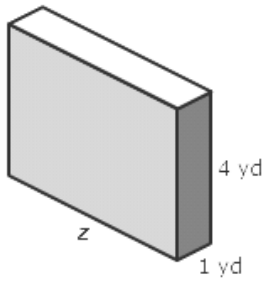
Volume = _____

#6



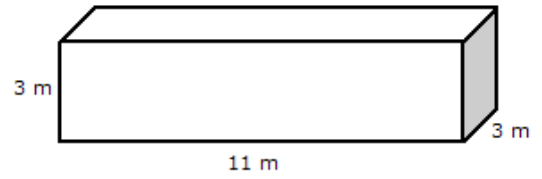
Volume = _____

#7



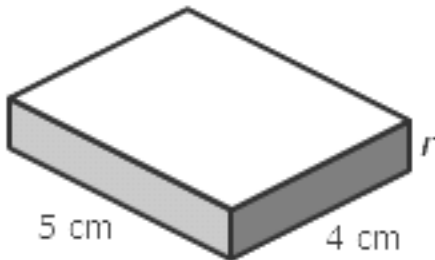
The volume of this rectangular prism is 24 yd^3 .
What is the missing measurement for z ?

#8



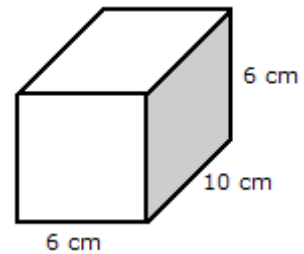
Look at the horse trough above.
What is its volume?

#9



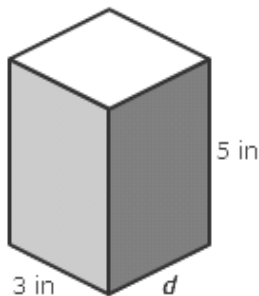
The volume of this rectangular prism is 20 cm^3 .
What is the missing measurement for r ?

#10



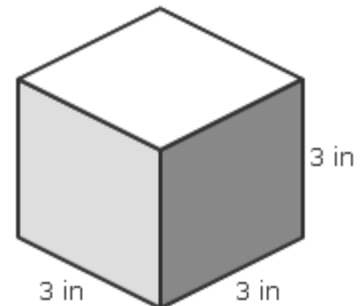
Look at the recipe card box above.
What is its volume?

#11



The volume of this rectangular prism is 60 in^3 .
What is the missing measurement for d ?

#12



Look at the ornament box above.
What is its volume?

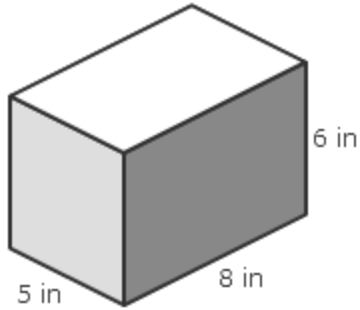
Name _____

Done With Partners

Calculating Volumes of Rectangular Prisms

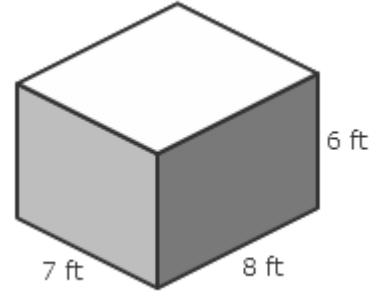
Find the volume of each rectangular prism and write it on the line.
Be sure to include the correct units.

#1



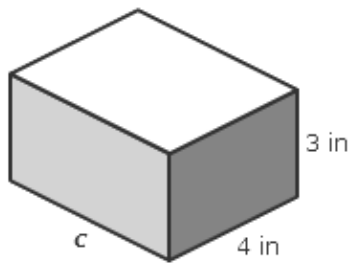
Volume = _____

#2



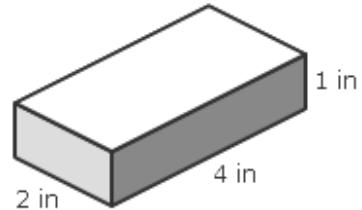
Volume = _____

#3



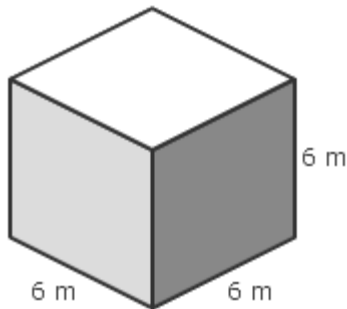
The volume of this rectangular prism is 72 in^3 .
What is the missing measurement for c ?

#4



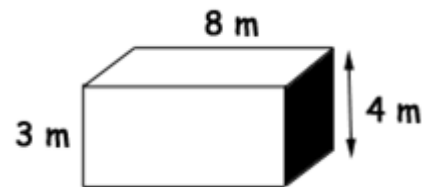
Look at the dollhouse drawer above.
What is its volume?

#5



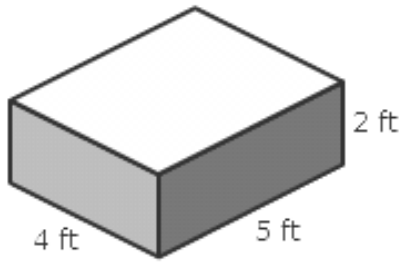
Volume = _____

#6



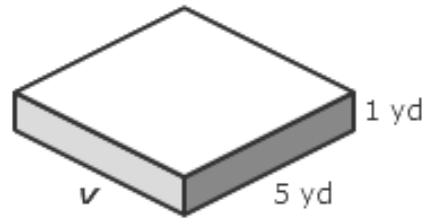
Volume = _____

#7



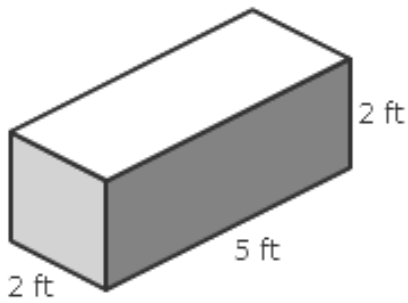
Look at the sandbox above.
What is its volume?

#8



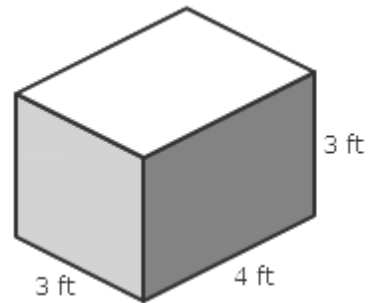
The volume of this rectangular prism is 30 yd^3 .
What is the missing measurement for v ?

#9



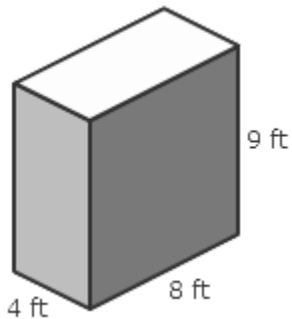
Volume = _____

#10



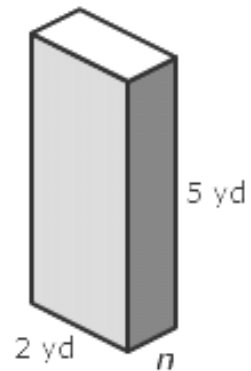
Volume = _____

#11



Look at the pop tarts box above.
What is its volume?

#12



The volume of this rectangular prism is 10 yd^3 .
What is the missing measurement for n ?

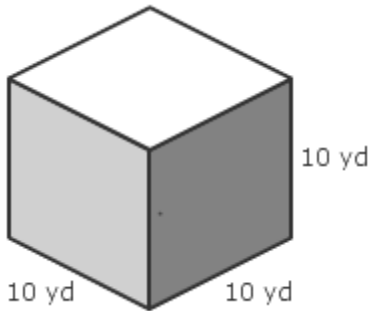
Name _____

GRADED ASSIGNMENT

Calculating Volumes of Rectangular Prisms

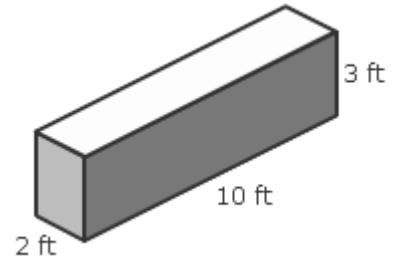
*Find the volume of each rectangular prism and write it on the line.
Be sure to include the correct units.*

#1



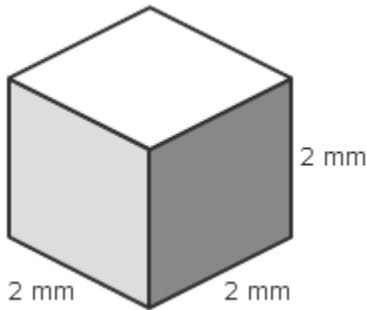
Volume = _____

#2



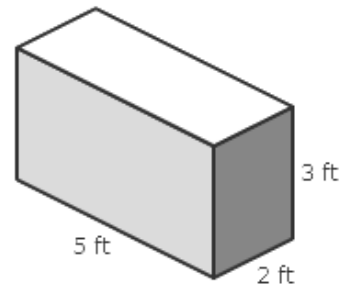
Volume = _____

#3



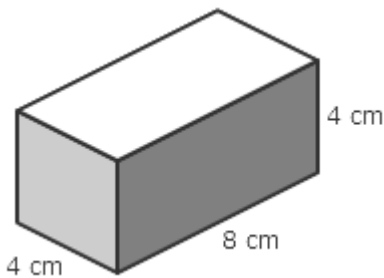
Volume = _____

#4



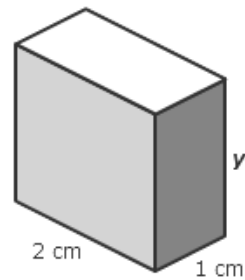
Volume = _____

#5



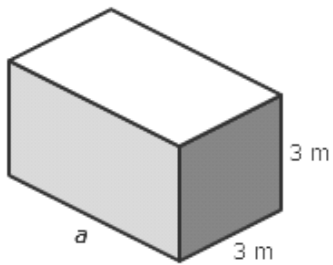
Look at the pencil box above.
What is its volume?

#6



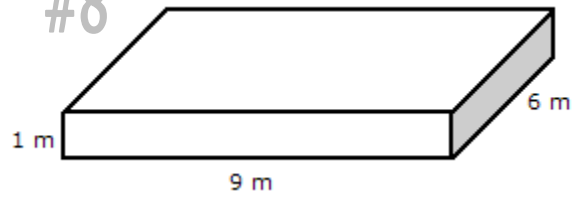
The volume of this rectangular prism is 16 cm^3 .
What is the missing measurement for y ?

#7



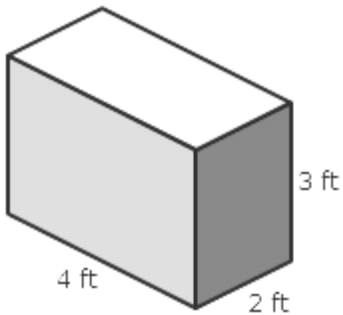
The volume of this rectangular prism is 90 m^3 .
What is the missing measurement for a ?

#8



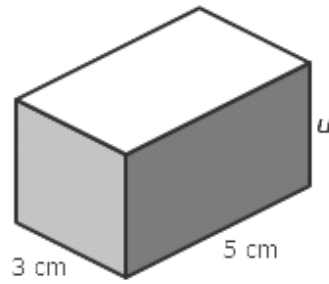
Look at the toddler swimming pool above.
What is its volume?

#9



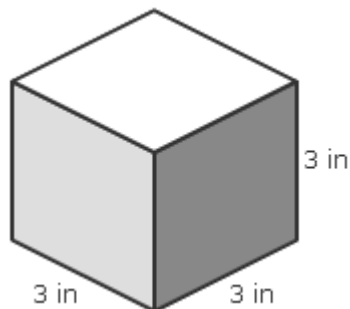
Look at the fish tank above.
What is its volume?

#10



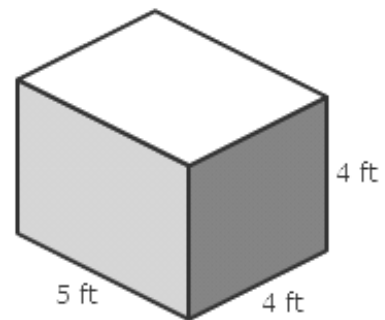
The volume of this rectangular prism is 60 cm^3 .
What is the missing measurement for u ?

#11



Volume = _____

#12

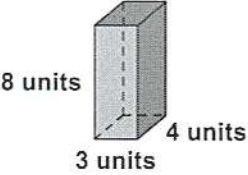


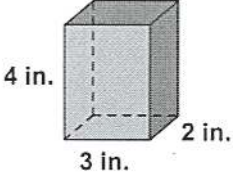
Volume = _____

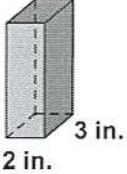
Calculating Volume of Rectangular Prisms

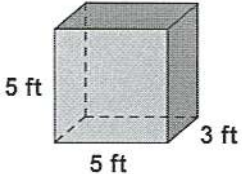
Find the volume of each rectangular prism.
Be sure to include the correct units.

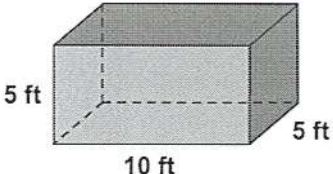
Remember:
 The volume of a rectangular prism is
 LENGTH x WIDTH x HEIGHT

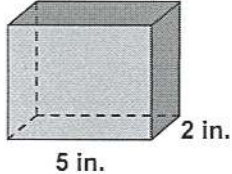
1. 
 Volume = _____

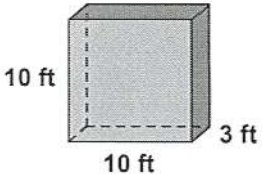
2. 
 Volume = _____

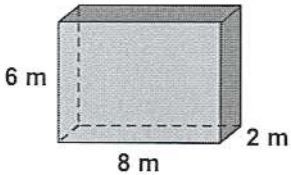
3. 
 Volume = _____

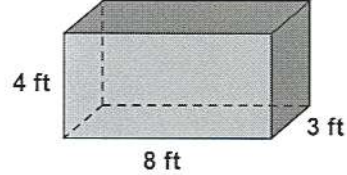
4. 
 Volume = _____

5. 
 Volume = _____

6. 
 Volume = _____

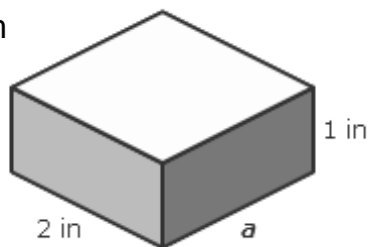
7. 
 Volume = _____

8. 
 Volume = _____

9. 
 Volume = _____

#10

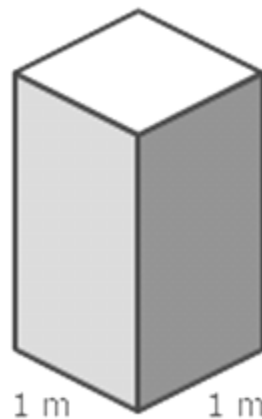
The volume of this rectangular prism is 8 in^3 .



What is the missing measurement for the value of a ?

#11

The volume of this rectangular prism is 3 m^3 .



What is its height?

Name _____

Homework #2

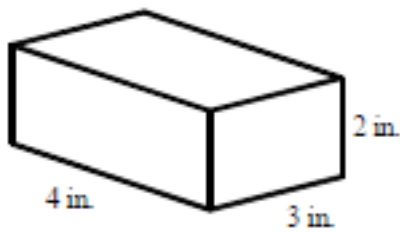
Front and Back

Calculating Volume of Rectangular Prisms

*Find the volume of each rectangular prism.
Be sure to include the correct units.*

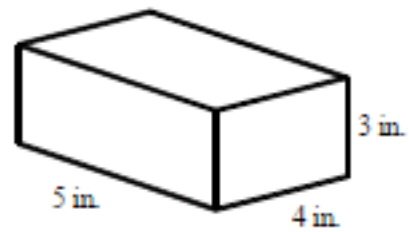
Remember:
The volume of a rectangular prism is
AREA of Base x HEIGHT of the prism

#1



Volume = _____

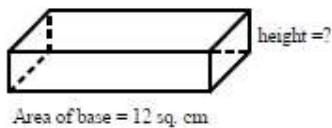
#2



Volume = _____

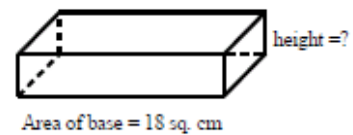
#3

The rectangular prism below has a volume of 24 cm^3 . What is its height? _____



#4

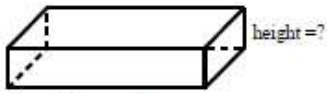
The rectangular prism below has a volume of 36 cm^3 . What is its height? _____



(Front and Back)

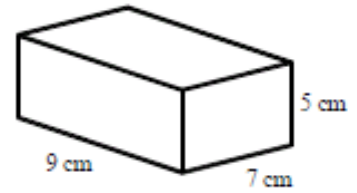
#5

The rectangular prism below has a volume of 120 cm^3 . What is its height? _____



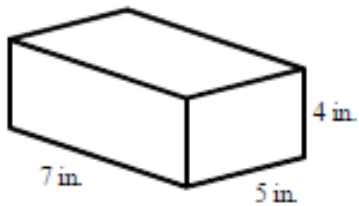
Area of base = 40 sq. cm

#6



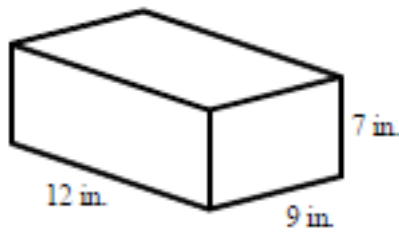
Volume = _____

#7



Volume = _____

#8



Volume = _____

#9

The rectangular prism below has a volume of 320 cm^3 . What is its height? _____



Area of base = 80 sq. cm

#10

The rectangular prism below has a volume of 360 cm^3 . What is its height? _____



Area of base = 90 sq. cm

Name _____

Calculating Volume of Rectangular Prisms

*Find the volume of each rectangular prism.
Be sure to include the correct units.*

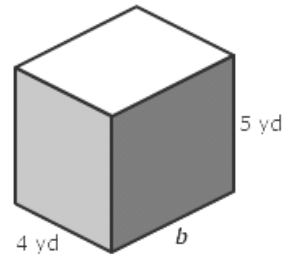
Remember:

The volume of a rectangular prism is
LENGTH x WIDTH x HEIGHT

#1

The volume of this rectangular prism is 60 yd^3 .

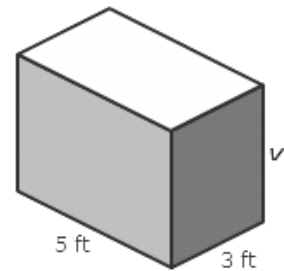
What is the missing measurement for the value of b ?



#2

The volume of this rectangular prism is 18 ft^3 .

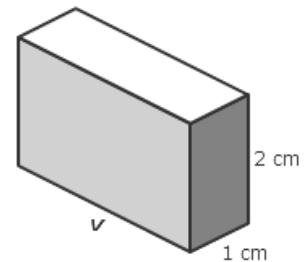
What is its height?



#3

The volume of this rectangular prism is 10 in^3 .

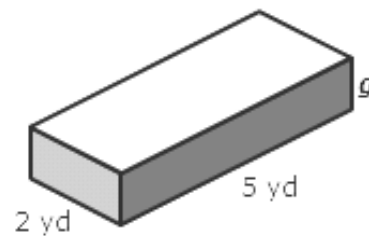
What is the missing measurement for the value of v ?



#4

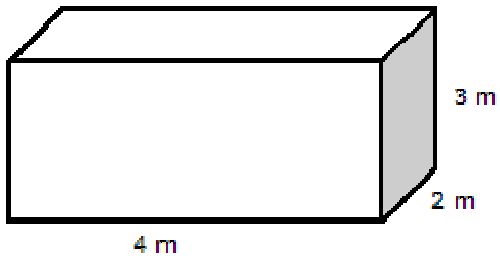
The volume of this rectangular prism is 10 yd^3 .

What is its height?



(Front and Back)

#5



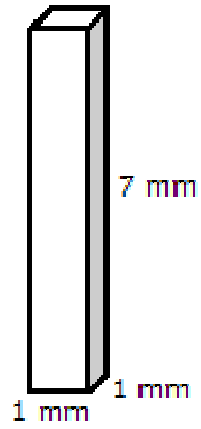
Volume = _____

#6



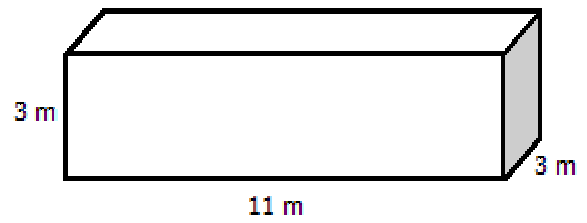
Volume = _____

#7



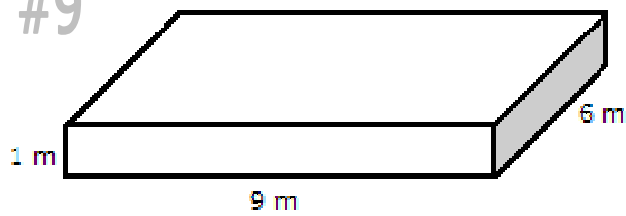
Volume = _____

#8



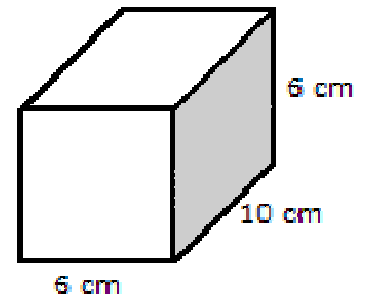
Volume = _____

#9



Volume = _____

#10



Volume = _____