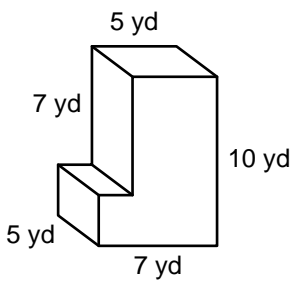


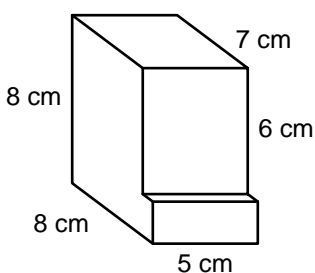
Calculating Volume

Name: _____ Date: _____

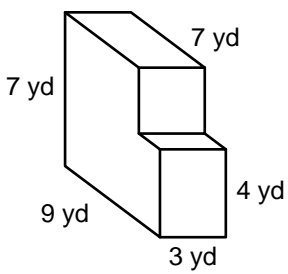
Calculate the volume of each solid.

(1) 

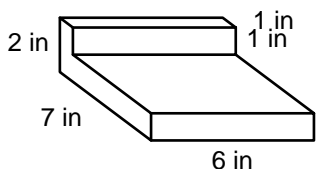
Volume: 280 yd³

(2) 

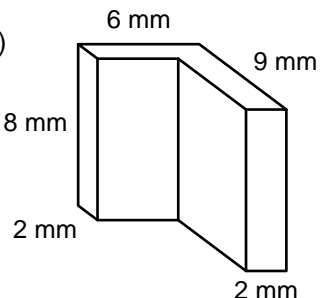
Volume: _____

(3) 

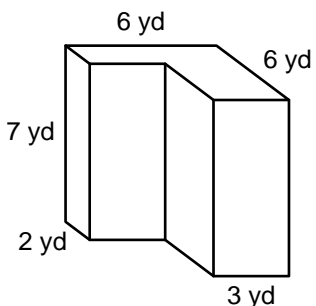
Volume: _____

(4) 

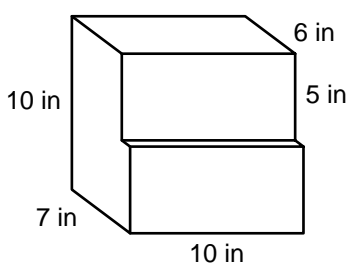
Volume: _____

(5) 

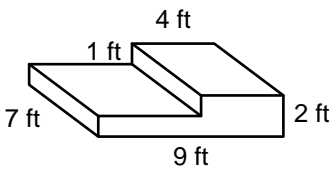
Volume: _____

(6) 

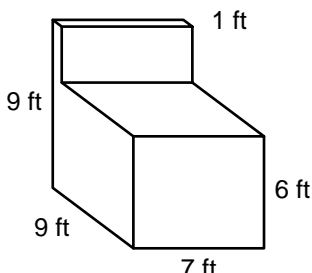
Volume: _____

(7) 

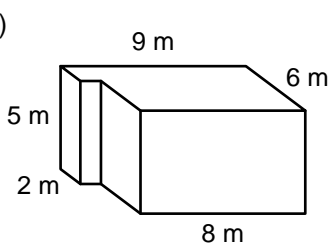
Volume: _____

(8) 

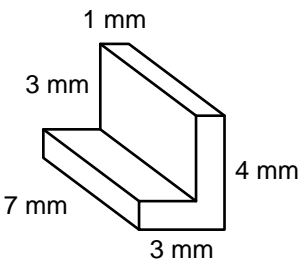
Volume: _____

(9) 

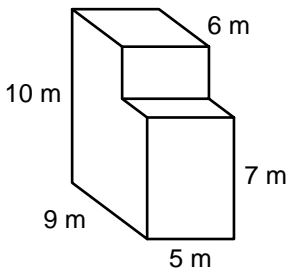
Volume: _____

(10) 

Volume: _____

(11) 

Volume: _____

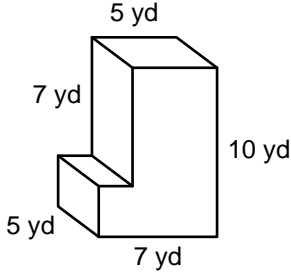
(12) 

Volume: _____

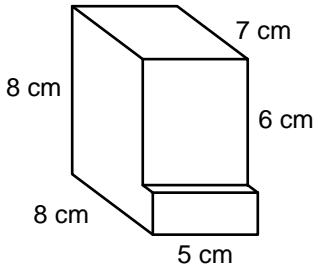
Calculating Volume

ANSWER KEY

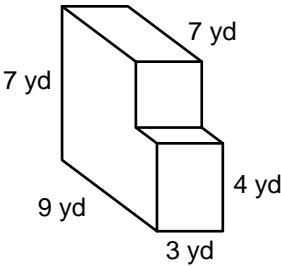
Calculate the volume of each solid.

(1) 

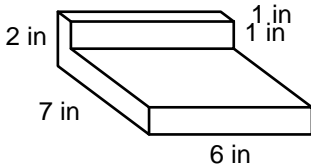
Volume: 280 yd³

(2) 

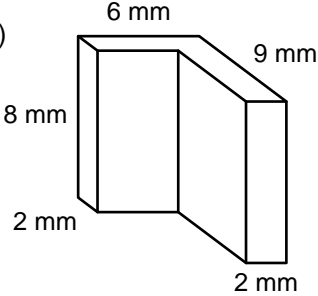
Volume: 290 cm³

(3) 

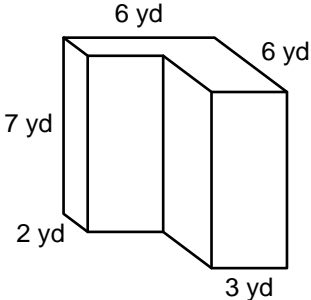
Volume: 171 yd³

(4) 

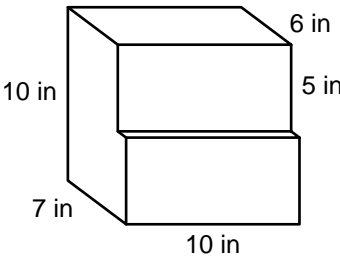
Volume: 48 in³

(5) 

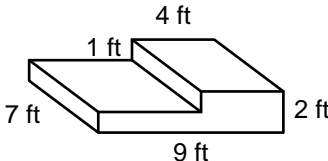
Volume: 208 mm³

(6) 

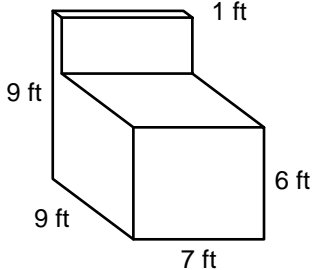
Volume: 168 yd³

(7) 

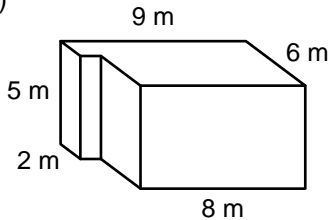
Volume: 650 in³

(8) 

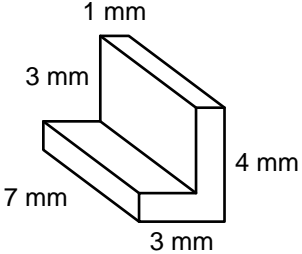
Volume: 91 ft³

(9) 

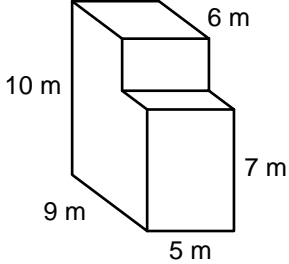
Volume: 399 ft³

(10) 

Volume: 250 m³

(11) 

Volume: 42 mm³

(12) 

Volume: 405 m³