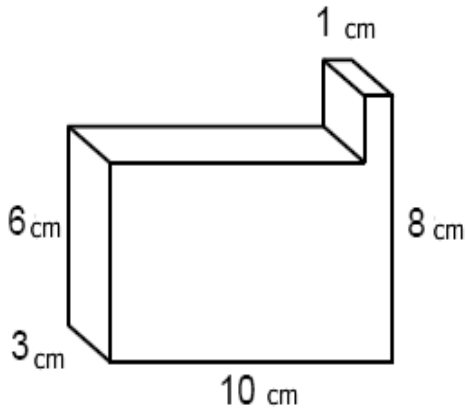
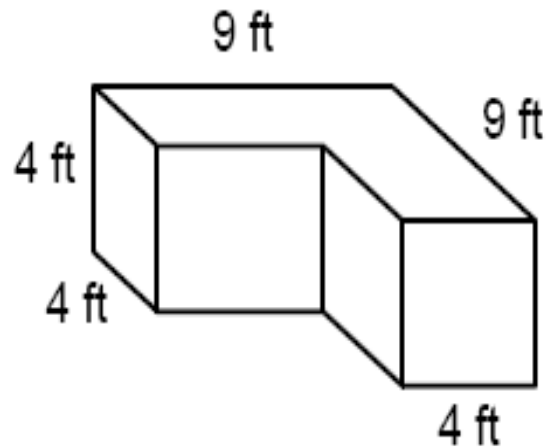
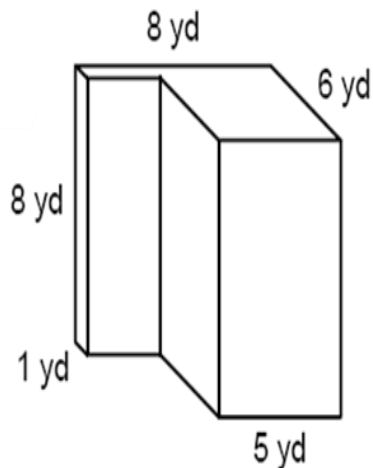


Solve the word problems. Remember to write the units.**#1** Answer =

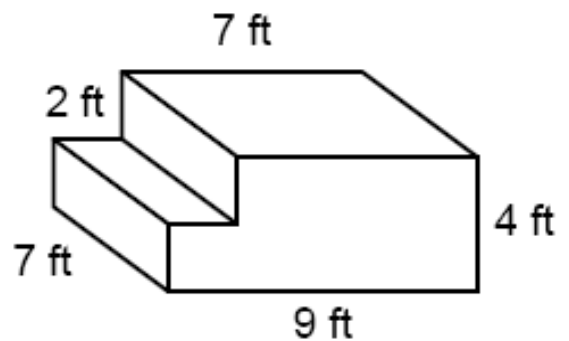
This ink cartridge can be refilled with a maximum of how much ink?

#2 Answer =

How much water can this swimming pool hold if it is completely filled?



This container is used to refill soap dispensers. What is the most liquid soap that can fit in the container?



If this step is made of solid concrete, how much concrete is actually shown?

#3 Answer =**#4** Answer =