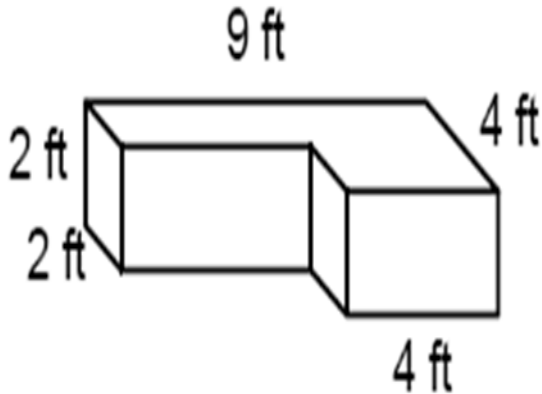


Solve the word problems. Remember to write the units.**#1**

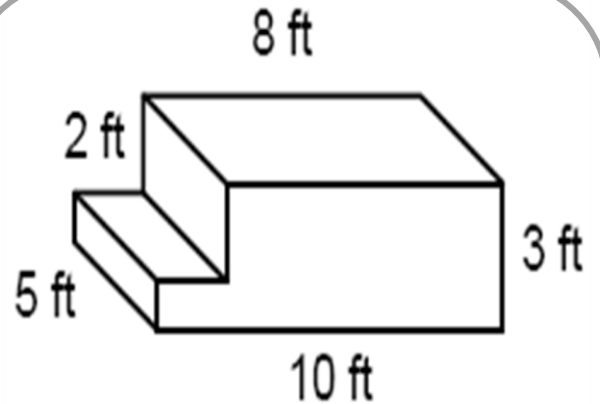
Answer =



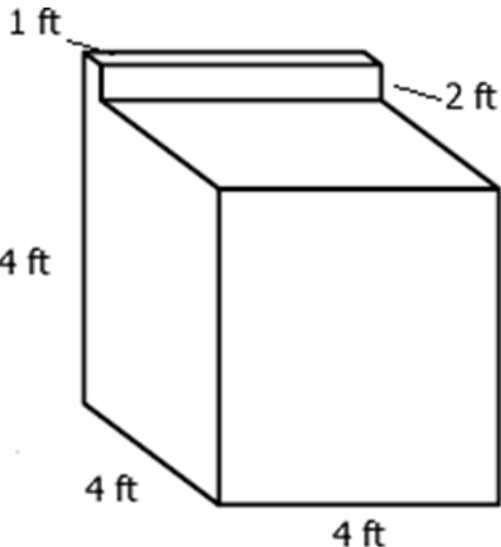
If the sandbox were filled all the way to the top, how much sand would be needed?

#2

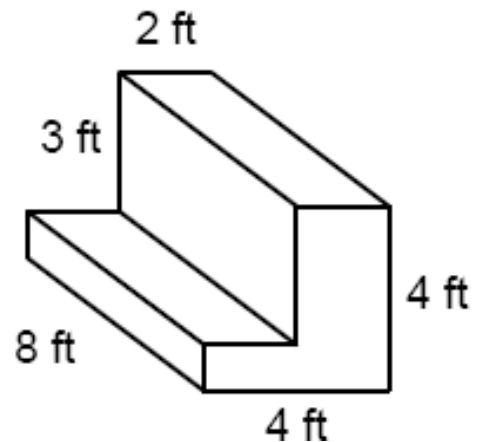
Answer =



The image shows a cement shape that will be built at a skate park. How much cement will be used?



What is the total volume of this industrial laundry machine?



This piece of foam will be used as stuffing for the inside of a couch cushion. What is its volume?

#3

Answer =

#4

Answer =