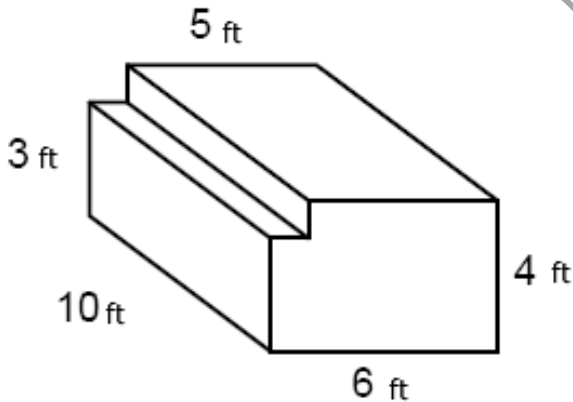
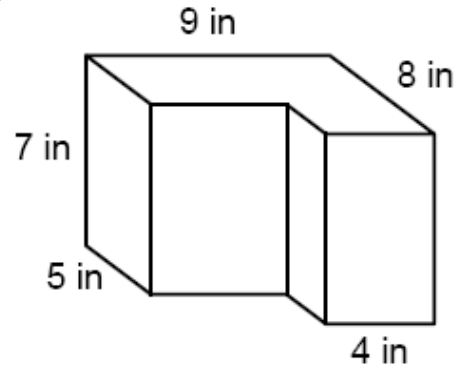
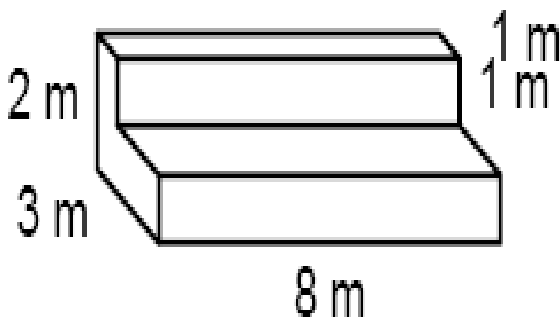


**Solve the word problems. Remember to write the units.****#1** Answer =

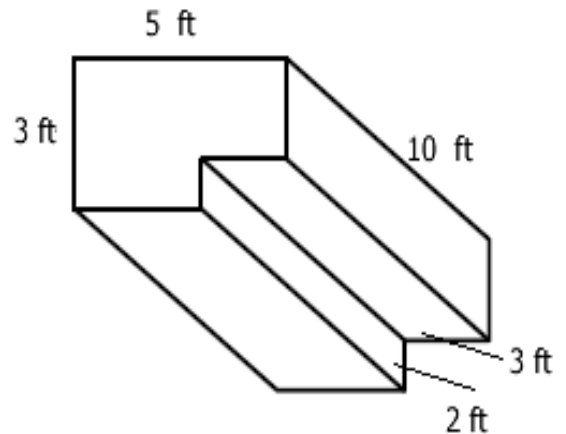
This deck box is used by a boat owner. How much storage space does it have?

**#2** Answer =

This cabinet will be mounted in the corner of a homeowner's kitchen. What is its volume?



These bleachers are made of solid metal, inside and out. How much metal is needed for this project?

**#3** Answer =

This box is used for tools in the bed of a pickup truck. What is the total amount of available storage?

**#4** Answer =